



EKİN ENDÜSTRİYEL

AIROO
ROOTS BLOWERS
PRODUCT CATALOGUE

Follow us on social media!



www.instagram.com/ekinendustriyel



www.facebook.com/ekinendustriyel



www.youtube.com/ekinendustriyel



www.linkedin.com/company/ekinendustriyel



www.twitter.com/ekinendustriyel



EKIN ENDÜSTRİYEL
Isıtma-Soğutma San. Tic. Ltd. Şti.





Sustainable Innovation, Quality Standardization and Dynamism

Ekin Endüstriyel, which has entered Turkish heating sector by exporting of plated heat exchangers, is known with customer focused vision and dynamism. Ekin has expanded into new and upcoming investments. One of the main steps was gaining the identity of being a producer. Ekin has started the production of plate heat exchangers with the brand of "MIT". We have grown in the philosophy of quality, through initially adapting to ISO Quality Management.

MIT plate heat exchangers have become a solution for engineering problems in the world market and have grown through an expansion of franchises.

Engineering Approaches, Integrated Solutions

Ekin has expanded into the production of components, sales, and after-sales service by employing expert engineers. The factors that guided Ekin to success are their exceptional customer service to the needs and wants of consumers, modern facilities, and becoming partners to projects that involve high-end technology.

Ekin is an expert company which has a wide product range which includes plate heat exchangers, accumulation tanks, water heater tanks, installation, and its service group and submit competitive advantages to mechanical installation sector in Turkey and all around the world.



APPLICATION FIELDS



HEAT TRANSFER PRODUCTS

- Gasketed Plate Heat Exchangers • Brazed Heat Exchangers • Shell&Tube Heat Exchangers • Air Fan Oil Cooler • Economizers • Coils and Radiators



PRESSURE VESSELS

- Water Heater Tanks • Water Storage Tanks • Buffer Tanks • Expansion Tanks • Stainless Steel Process Tanks • Balance Tanks / Dirt Separators / Air Separators • Pressured Air Tanks • Neutralization Tanks • Air Tubes • Steel IBC Tanks with ADR



COMPLETE SYSTEMS UNITS

- Heat Stations • Steam Package Systems • Special Designed Systems • Dosing Systems • Substations • Thermoregulators



FOOD GRADE SYSTEMS

- Pasteurizers with plate heat exchangers • Hygienic Pasteurizers with Shell & Tube Heat Exchangers • Cheese and whey Systems • UHT – Sterilization Systems • CIP Systems • Hygienic Storage and Process Tanks • Homogenizers • Standartization Systems • Evaporators • Turn-key Projects



FLUID TRANSFER PRODUCTS

- Lobe Pumps • Hygienic Centrifuge Pumps • Turbo / Roots / Centrifuge Blowers • Drum Pumps • Acid Pumps • Dosing Pumps • Monopumps • Air operated Double Diaphragm Pumps (AODD)



VALVES

- Thermoplastic Valves • Plastomatic Valves



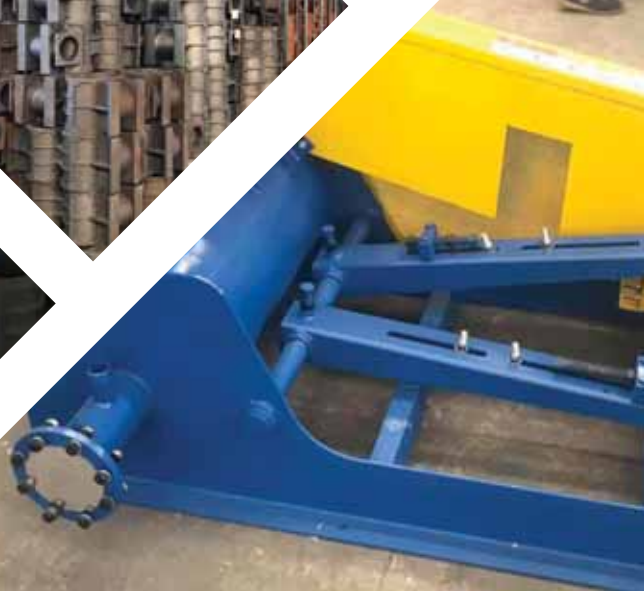
ENERGY SYSTEMS

- Solar Collectors • Water Heater Tanks for Solar

Contents

1

HG Series Blower



HG SERIES BLOWER

HG series blower is a positive displacement type of machine used to convey air and gas and is widely used in almost every industry, we has earned a high reputation in pressure and vacuum area by HG series three lobe roots blower for it's high efficiency and energy saving.

With a broad capacity range up to 10,000 m³/hr and pressure range up to 1 bar for pressure performance and capacimby range up to 10,000 m³/hr and vacuum range up to -500 mbar for vacuum performance, easy handling and quieter operation, HG series blower has been used for delivering air for sewage water treatment plant, shrimp aquaculture plant, cement plant, power plant, metallurgy, mining plant, sugar plant, pneumatic conveying system, and delivering gas for biogas power plant, landfili gas (LFG) power plant, gas extraction plants, oil and gas refinery plant, steel plant, foundry plant, metallurgical plant, chemical Plant etc.



HG Three Lobe Roots Blower Pressure Performance Table

Qs: Inlet Air Flow Rate (m³/min)

La: Bar Power (kW)

Po : Motor Power (kW)

Model	RPM	100 mBar			200 mBar			300 mBar			400 mBar			500 mBar			600 mBar			700 mBar			800 mBar			900 mBar			1000 mBar			Motor Pole
		Qs	La	Po	Qs	La	Po	Qs	La	Po	Qs	La	Po	Qs	La	Po	Qs	La	Po	Qs	La	Po	Qs	La	Po	Qs	La	Po	Qs	La	Po	
HG-50	1450	1.12	0.7	1.1	0.88	1.0	1.5	0.75	1.2	1.5	0.63	1.5	2.2	0.5	1.8	2.2																4
	2000	1.76	1.0	1.5	1.42	1.4	2.2	1.33	1.7	2.2	1.23	2.1	3	1.19	2.5	3	1.00	2.9	4													4
	2500	2.34	1.2	1.5	2	1.7	2.2	1.82	2.1	3	1.72	2.6	4	1.6	3.1	4	1.54	3.6	5.5	1.43	4	5.5	1.38	4.5	5.5							2
	3000	2.93	1.4	2.2	2.59	1.9	3	2.41	2.5	3	2.21	3.1	4	2.06	3.7	5.5	1.93	4.2	5.5	1.88	4.8	7.5	1.8	5.4	7.5	1.7	6	7.5				2
	3500	3.51	1.6	2.2	3.17	2.2	3	2.99	2.9	4	2.79	3.6	5.5	2.64	4.2	5.5	2.51	4.9	7.5	2.38	5.6	7.5	2.25	6.2	7.5	2.18	6.9	11	2.1	7.6	11	2
	4000	4.1	1.8	2.2	3.76	2.5	3	3.58	3.3	4	3.38	4.1	5.5	3.23	4.8	7.5	3.1	5.6	7.5	2.96	6.3	7.5	2.84	7.1	11	2.77	7.9	11	2.7	8.6	11	2
	4500	4.68	2	3	4.34	2.8	4	4.16	3.7	5.5	3.95	4.5	5.5	3.81	5.4	7.5	3.68	6.3	7.5	3.53	7.1	11	3.42	8	11	3.35	8.8	11	3.29	9.7	15	2
HG-65	2000	2.98	1.4	2.2	2.46	2.1	3	2.13	2.7	4	1.78	3.4	4	1.53	4.0	5.5	1.33	4.6	5.5													4
	2500	3.97	1.8	2.2	3.45	2.6	3	3.12	3.4	4	2.77	4.2	5.5	2.52	5.0	7.5	2.32	5.8	7.5													2
	3000	4.95	2.2	3	4.43	3.1	4	4.1	4.1	5.5	3.75	5.1	7.5	3.5	6	7.5	3.3	7	11	3.14	8	11	3	8.9	11	2.89	9.9	15	2.82	10.8	15	2
	3500	5.93	2.5	3	5.41	3.7	5.5	5.08	4.8	7.5	4.73	5.9	7.5	4.48	7	11	4.28	8.1	11	4.12	9.3	11	3.98	10.4	15	3.87	11.5	15	3.8	12.6	15	2
	4000	6.91	2.9	4	6.39	4.2	5.5	6.06	5.5	7.5	5.71	6.7	11	5.46	8	11	5.26	9.3	11	5.1	10.6	15	4.96	11.9	15	4.85	13.1	18.5	4.78	14.4	18.5	2
4500	7.89	3.2	4	7.73	4.7	5.5	7.04	6.1	7.5	6.69	7.6	11	6.44	9	11	6.24	10.5	15	6.08	11.9	15	5.94	13.3	18.5	5.83	14.8	18.5	5.76	16.2	22	2	
HG-80	2000	6.01	2.3	3	5.51	3.5	5.5	5.17	4.7	5.5	4.88	5.9	7.5	4.65	7.0	11	4.46	8.2	11													4
	2300	7.12	2.7	4	6.63	4.0	5.5	6.29	5.4	7.5	6.01	6.8	11	5.78	8.1	11	5.59	9.5	11													2
	2500	7.86	2.9	4	7.38	4.4	5.5	7.05	5.9	7.5	6.76	7.3	11	6.53	8.8	11	6.34	10.3	15	6.18	11.8	15	6.04	13.3	18.5	5.93	14.8	18.5	5.83	16.3	22	2
	2800	8.98	3.3	4	8.5	4.9	7.5	8.17	6.6	11	7.89	8.2	11	7.67	9.9	15	7.48	11.5	15	7.31	13.2	18.5	7.18	14.8	18.5	7.06	16.5	22	6.95	18.1	22	2
	3000	9.72	3.6	5.5	9.25	5.4	7.5	8.92	7.1	11	8.64	8.9	11	8.42	10.7	15	8.23	12.5	15	8.07	14.3	18.5	7.93	16	18.5	7.81	17.8	22	7.71	19.6	30	2
	3300	10.8	4	5.5	10.4	5.9	7.5	10.1	7.9	11	9.77	9.8	15	9.55	11.8	15	9.36	13.8	18.5	9.2	15.7	18.5	9.06	17.7	22	8.94	19.6	30	8.83	21.6	30	2
	3500	11.5	4.2	5.5	11.1	6.3	7.5	10.8	8.3	11	10.5	10.4	15	10.3	12.5	15	10.1	14.6	18.5	9.95	16.6	22	9.81	18.7	22	9.69	20.8	30	9.59	22.9	30	2
3800	12.7	4.6	5.5	12.2	6.8	11	11.8	9.1	11	11.6	11.3	15	11.4	13.6	18.5	11.2	15.8	18.5	11.1	18.1	22	10.9	20.3	30	10.8	22.6	30	10.7	24.8	30	2	
HG-100	2000	9.13	3.2	4	8.43	5.0	7.5	7.93	6.7	11	7.51	8.5	11	7.17	10.3	15	6.88	12.1	15													4
	2300	10.8	3.7	5.5	10.1	5.8	7.5	9.62	7.8	11	9.21	9.9	15	8.87	11.9	15	8.59	14.0	18.5													2
	2500	11.9	4.1	5.5	11.2	6.3	7.5	10.8	8.6	11	10.3	10.8	15	10	13	15	9.73	15.2	18.5	9.48	17.5	22	9.26	19.7	30	9.08	21.9	30	8.91	24.1	30	2
	2800	13.6	4.7	5.5	12.9	7.2	11	12.5	9.7	15	12	12.2	15	11.7	14.7	18.5	11.4	17.2	22	11.2	19.7	30	11	22.2	30	10.8	24.7	30	10.6	27.2	37	2
	3000	14.7	5.1	7.5	14.1	7.8	11	13.7	10.4	15	13.2	13.1	18.5	12.8	15.8	18.5	12.6	18.5	22	12.3	21.2	30	12.1	23.8	30	11.9	26.5	37	11.7	29.2	37	2
	3300	16.4	5.5	7.5	15.7	8.5	11	15.4	11.4	15	14.9	14.4	18.5	14.6	17.3	22	14.3	20.2	30	14	23.2	30	13.8	26.1	30	13.6	29.1	37	13.5	32	37	2
	3500	17.5	5.8	7.5	16.9	8.9	11	16.5	12.1	15	16	15.2	18.5	15.7	18.3	22	15.4	21.4	30	15.2	24.5	30	14.9	27.7	37	14.8	30.8	37	14.6	33.9	45	2
3800	19.2	6.3	7.5	18.5	9.7	15	18.2	13	15	17.7	16.4	22	17.4	19.8	30	17.1	23.2	30	16.9	26.6	37	16.7	30	37	16.5	33.3	45	16.3	36.7	45	2	



Model	RPM	100 mBar			200 mBar			300 mBar			400 mBar			500 mBar			600 mBar			700 mBar			800 mBar			900 mBar			1000 mBar			Motor Pole
		Qs	La	Po	Qs	La	Po	Qs	La	Po	Qs	La	Po	Qs	La	Po	Qs	La	Po	Qs	La	Po	Qs	La	Po	Qs	La	Po				
HG-125	1450	13.4	4.1	5.5	12.5	7.0	11	11.9	9.7	15	11.3	12.4	15	10.9	14.5	18.5	10.6	17.7	22													4
	1750	16.7	4.9	7.5	15.8	8.1	11	15.3	11.3	15	14.7	14.5	18.5	14.3	17.6	22	13.9	20.8	30													4
	2000	19.5	5.6	7.5	18.6	9.2	11	18	12.9	15	17.5	16.5	22	17.1	20.2	30	16.7	23.8	30	16.4	27.9	37	16.2	31.1	37	16	34.8	45	15.8	38.4	45	4
	2300	22.8	6.4	7.5	21.9	10.6	15	21.4	14.8	18.5	20.8	18.9	22	20.4	23.1	30	20	27.3	37	19.8	31.5	37	19.5	35.7	45	19.4	39.9	55	19.2	4.4	55	2
	2600	26.1	7.2	11	25.2	12	15	24.7	16.7	22	24.1	21.4	30	23.7	26.2	37	23.4	30.9	37	23.1	35.6	45	22.9	40.4	55	22.7	45.1	55	22.5	49.8	75	2
	2800	28.3	7.8	11	27.5	12.9	15	26.8	18	22	26.4	23.1	30	26	28.2	37	25.6	33.3	45	25.4	38.4	45	25.1	43.5	55	24.9	48.6	55	24.7	53.7	75	2
HG-150	1450	21.8	6.3	7.5	20.5	10.6	15	19.6	14.8	18.5	18.8	19.0	22	18.2	23.2	30	17.7	27.4	37													4
	1750	27.1	7.5	11	25.8	12.6	15	24.9	17.7	22	24.2	22.7	30	23.6	27.8	37	23.2	32.9	45													4
	2000	31.6	8.5	11	30.3	14.3	18.5	29.4	20.1	30	28.7	25.9	30	28.2	31.8	37	27.7	37.6	45	27.3	43.4	55	27	46.7	55	26.7	55	75	26.5	60.8	75	4
	2300	36.9	9.7	15	35.7	16.3	22	34.9	23	30	34.2	29.7	37	33.6	36.4	45	33.2	43	55	32.8	49.7	75	32.5	56.4	75	32.2	63	75	32	69.7	90	2
	2600	42.3	10.8	15	41.1	18.3	22	40.4	25.9	30	39.6	33.4	45	39.1	40.9	55	38.6	48.5	55	38.2	56	75	37.9	63.5	75	37.7	71.1	90	37.4	78.6	90	2
	2800	45.9	11.6	15	44.7	19.7	30	43.8	27.8	37	43.2	35.9	45	42.7	44	55	42.3	52.2	75	41.9	60.3	75	41.6	68.4	90	41.3	76.5	90	41.1	84.6	110	2
HG-175	1150	23.5	5.1	7.5	22.1	9.7	11	20.9	14.2	18.5	19.9	18.7	22	19.1	23.3	30	18.3	27.8	37													4
	1450	30.6	6.8	11	29.1	12.5	15	28.1	18.2	22	27.0	24.0	30	26.2	29.7	37	25.4	35.4	45													4
	1750	37.7	8.7	11	36.2	15.6	18.5	35.1	22.5	30	34.1	29.4	37	33.2	36.6	45	32.5	43.2	55	31.8	50.1	75	31.1									4
	2000	43.6	10.3	15	42.1	18.2	22	41	26.1	37	40	33.9	45	39.2	41.8	55	38.4	49.7	75	37.7	57.6	75	37									4
	2300	50.7	12.5	15	49.2	21.5	30	48	30.6	37	47.1	39.7	55	46.2	48.7	75	45.5	57.8	75	44.7	66.9	90	44.1									2
	2600	57.8	14.9	18.5	56.3	25.2	30	55.1	35.4	45	54.2	45.7	55	53.3	55.9	75	52.5	66.2	90	51.8	76.4	90	51.2									2
	2800	62.5	16.6	22	61	27.8	37	59.9	38.7	55	58.9	49.7	75	58	60.8	75	57.3	71.8	90	56.6	82.9	110	55.9									2
HG-200	970	38.6	10.4	15	36.6	17.8	22	35.0	25.1	30	33.9	32.5	45	32.9	39.9	55	32.0	47.3	55													4
	1250	51.5	13.5	18.5	49.5	22.9	30	48.0	32.4	45	46.8	41.9	55	45.9	51.4	75	45.1	60.8	75													4
	1450	60.7	15.4	18.5	58.7	26.3	37	57.3	37.3	45	56.1	48.3	55	55.2	59.3	75	54.4	70.3	90	53.8	81.3	110	53.1	92.3	110	52.6	103	132	52.2	114	132	4
	1600	67.6	16.8	22	65.6	28.9	37	64.2	41	55	63.1	53.2	75	62.1	65.3	75	61.3	77.4	90	60.7	89.5	110	60.1	102	132	59.6	114	132	59.2	126	160	4
	1750	74.5	18.3	22	72.5	31.5	37	71.1	44.8	55	70	58.1	75	69.1	71.3	90	68.3	84.6	110	67.6	97.9	132	67.1	111	160	66.6	124	160	66.2	138	160	4
	1900	81.4	19.8	30	79.5	34.2	45	78.1	48.6	55	77	63	75	76.1	77.5	90	75.3	91.9	110	74.6	106	132	74.1	121	160	73.6	135	160	73.1	150	185	4
HG-250	970	49.8	12.9	15	47.5	22.2	30	45.8	31.5	37	44.5	40.9	55	43.5	50.2	75	42.6	59.6	75													4
	1250	66.2	16.4	22	63.9	28.5	37	62.3	40.6	55	61.1	52.7	75	60.1	64.8	75	59.2	76.8	90													4
	1450	77.9	18.7	22	75.7	32.8	45	74.1	46.7	55	72.9	60.9	75	71.9	74.9	90	71.1	89	110	70.4	103	132	69.9	117	160							4
	1600	86.7	20.6	30	84.5	36.2	45	83	51.7	75	81.8	67.2	90	80.8	82.8	110	80	98.3	132	79.3	114	132	78.8	129	160							4
	1750	95.5	22.5	30	93.4	39.5	55	91.8	56.5	75	90.6	73.5	90	89.7	90.5	110	88.9	108	132	88.2	125	160	87.8	142	160							4
	1900	104	24.5	30	102	43	55	101	61.5	75	99.5	80.1	110	98.6	98.6	132	97.8	117	160	97.1	136	160	96.6	154	185							4

HG Three Lobe Roots Blower Vacuum Performance Table

Qs: Inlet Air Flow Rate (m³/min)

La: Bar Power (kW)

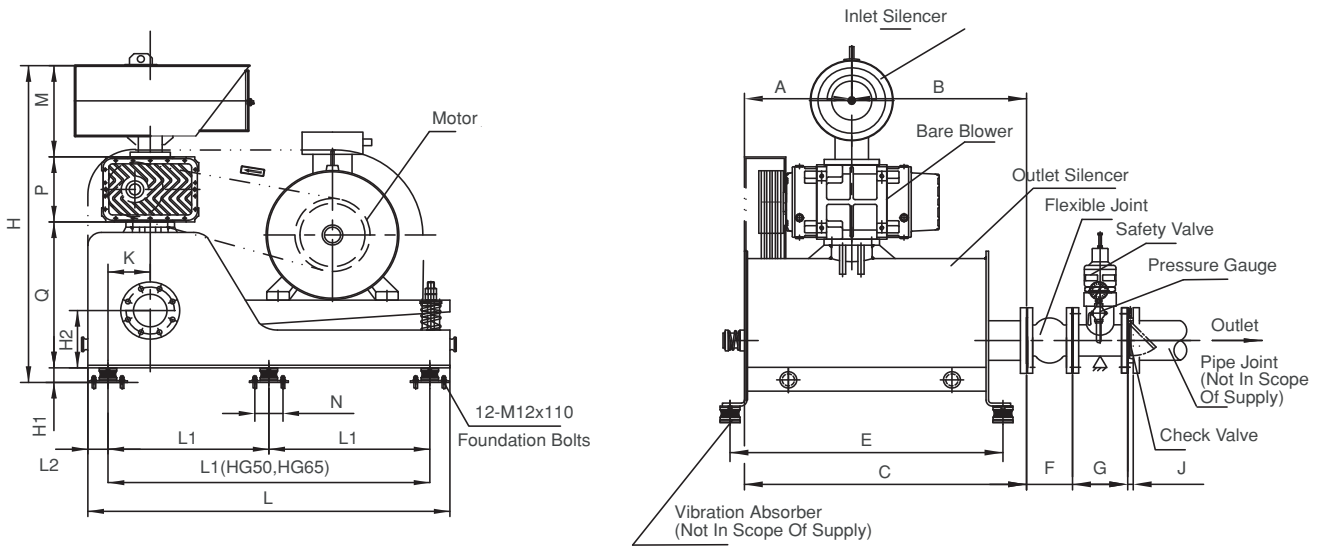
Po : Motor Power (kW)

Model	RPM	-100 Mbar			-200 mBar			-300 mBar			-400 mBar			-500 mBar			Motor Pole
		Qs	La	Po	Qs	La	Po	Qs	La	Po	Qs	La	Po	Qs	La	Po	
HG-50V	2000	1.70	1.00	1.5	1.30	1.40	2.2	1.00	1.70	2.2							4
	2500	2.29	1.20	1.5	1.78	1.70	2.2	1.54	2.10	3	1.36	2.6	4				2
	3000	2.88	1.4	2.2	2.37	1.9	3	2.03	2.5	3	1.85	3.1	4				2
	3500	3.46	1.6	2.2	2.95	2.2	3	2.61	2.9	4	2.33	3.6	5.5				2
	4000	4.05	1.8	2.2	3.54	2.5	3	3.2	3.3	4	2.92	4.1	5.5	2.68	4.8	7.5	2
	4500	4.63	2	3	4.12	2.8	4	3.78	3.7	5.5	3.5	4.5	5.5	3.16	5.4	7.5	2
HG-65V	2500	3.88	1.80	2.2	3.20	2.60	3	2.70	3.40	4	2.46	4.2	5.5				2
	3000	4.87	2.20	3	4.18	3.10	4	3.68	4.10	5.5	3.24	5.1	7.5				2
	3500	5.85	2.5	3	5.16	3.7	5.5	4.66	4.8	5.5	4.22	5.9	7.5				2
	4000	6.83	2.9	4	6.14	4.2	5.5	5.64	5.5	7.5	5.2	6.7	11	4.86	8	11	2
	4500	7.81	3.2	4	7.12	4.7	5.5	6.62	6.1	7.5	6.18	7.6	11	5.84	9	11	2
HG-80V	2000	5.94	2.30	3	5.31	3.50	5.5	4.76	4.70	5.5	4.21	5.9	7.5				4
	2300	7.05	2.70	4	6.44	4.00	5.5	5.89	5.40	7.5	5.35	6.8	11				2
	2500	7.8	2.9	4	7.19	4.4	5.5	6.65	5.9	7.5	6.11	7.3	11	5.52	8.8	11	2
	2800	8.91	3.3	4	8.31	4.9	7.5	7.78	6.6	11	7.24	8.2	11	6.66	9.9	15	2
	3000	10.9	3.6	5.5	9.06	5.4	7.5	8.53	7.1	11	8	8.9	11	7.42	10.7	15	2
	3300	10.9	4	5.5	10.2	5.9	7.5	9.67	7.9	11	9.14	9.8	15	8.57	11.8	15	2
	3500	11.5	4.2	5.5	10.9	6.3	7.5	10.4	8.3	11	9.9	10.4	15	9.33	12.5	15	2
	3800	12.7	4.6	5.5	12.1	6.8	11	11.6	9.1	11	11	11.3	15	10.5	13.6	18.5	2
HG-100V	2000	9.04	3.20	4	8.14	5.00	7.5	7.35	6.70	11	6.55	8.5	11				4
	2300	10.8	3.70	5.5	9.83	5.80	7.5	9.05	7.80	11	8.26	9.90	15				2
	2500	11.9	4.1	5.5	11	6.3	7.5	10.2	8.6	11	9.41	10.8	15	8.55	13	15	2
	2800	13.6	4.7	5.5	12.7	7.2	11	11.9	9.7	15	11.1	12.2	15	10.3	14.7	18.5	2
	3000	14.7	5.1	7.5	13.8	7.8	11	13	10.4	15	12.3	13.1	18.5	11.4	15.8	18.5	2
	3300	16.4	5.5	7.5	15.5	8.5	11	14.7	11.4	15	14	14.4	18.5	13.2	17.3	22	2
	3500	17.5	5.8	7.5	16.6	8.9	11	15.9	12.1	15	15.1	15.2	18.5	14.3	18.3	22	2
	3800	19.2	6.3	7.5	18.3	9.7	15	17.6	13	15	16.8	16.4	22	16	19.8	30	2
HG-125V	1450	13.4	4.10	5.5	12.1	7.00	11	11.1	9.70	15	10.1	12.4	15				4
	1750	16.6	4.90	7.5	15.5	8.10	11	14.5	11.3	15	13.4	14.5	18.5				4
	2000	19.5	5.6	7.5	18.2	9.2	11	17.2	12.9	15	16.2	16.5	22	15.1	20.2	30	4
	2300	22.7	6.4	7.5	21.6	10.6	15	20.6	14.8	18.5	19.6	18.9	22	18.5	23.1	30	2
	2600	26.1	7.2	11	24.9	12	15	23.9	16.7	22	23	21.4	30	21.9	26.2	37	2
	2800	26.3	7.8	11	27.1	12.9	15	26.2	18	22	25.2	23.1	30	24.2	28.2	37	2

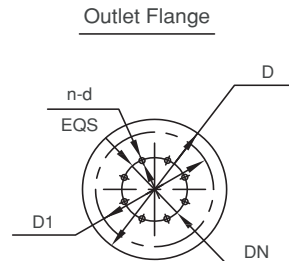
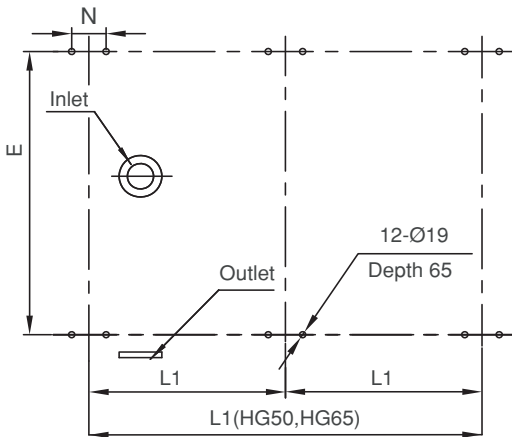


Model	RPM	-100 Mbar			-200 mBar			-300 mBar			-400 mBar			-500 mBar			Motor Pole
		Qs	La	Po	Qs	La	Po	Qs	La	Po	Qs	La	Po	Qs	La	Po	
HG-150V	1450	21.7	6.30	7.5	19.9	10.6	15	18.4	14.8	18.5	16.9	19.0	22				4
	1750	27.0	7.50	11	25.3	12.6	15	23.9	17.7	22	22.4	22.7	30				4
	2000	31.4	8.5	11	29.8	14.3	18.5	28.4	20.1	30	27	25.9	30	25.5	31.8	37	4
	2300	36.8	9.7	15	35.2	16.3	22	33.9	23	30	32.5	29.7	37	31	36.4	45	2
	2600	42.1	10.8	15	40.6	18.3	22	39.3	25.9	30	38	33.4	45	36.5	40.9	55	2
	2800	45.7	11.6	15	44.2	19.7	30	42.9	27.8	37	41.7	35.9	45	40.2	44	55	2
HG-175V	1150	23.4	5.10	7.5	21.5	9.7	11	19.7	14.2	18.5	17.9	18.7	22				4
	1450	30.4	6.80	11	28.6	12.5	15	26.8	18.2	22	25.1	24.0	30				4
	1750	37.5	8.7	11	35.6	15.6	18.5	33.9	22.5	30	32.2	29.4	37	30.1	36.3	45	4
	2000	43.4	10.3	15	41.5	18.2	22	39.8	26.1	37	38.1	33.9	45	36	41.8	55	4
	2300	50.5	12.5	15	48.6	21.5	30	46.9	30.6	37	45.2	39.7	55	43	48.7	75	2
	2600	57.6	14.9	18.5	55.7	25.2	30	54	35.4	45	52.3	45.7	55	50.1	55.9	75	2
HG-200V	2800	62.3	16.6	22	60.5	27.7	37	58.7	38.7	55	58.8	49.7	75	54.8	60.8	75	2
	970	38.3	10.4	15	35.8	17.8	22	33.3	25.1	30	30.8	32.5	45				4
	1250	51.2	13.5	18.5	48.6	22.9	30	46.3	32.4	45	44.1	41.9	55				4
	1450	60.4	15.4	18.5	57.8	26.3	37	55.6	37.3	45	53.3	48.3	55	50.8	59.3	75	4
	1600	67.3	16.8	22	64.9	28.9	37	62.6	41	55	60.3	53.2	75	57.8	65.3	75	4
	1750	74.2	18.3	22	71.8	31.5	37	69.5	44.8	55	67.3	58.1	75	64.9	71.3	90	4
HG-250V	1900	81.1	19.8	30	78.6	34.2	45	76.5	48.6	55	74.3	63	75	71.9	77.5	90	4
	970	49.5	12.9	15	40.5	22.2	30	43.8	31.5	37	41.2	40.9	55				4
	1250	65.9	16.4	22	62.9	28.5	37	60.4	40.6	55	57.8	52.7	75				4
	1450	77.5	18.7	22	74.8	32.8	45	72.2	46.8	55	69.7	60.9	75	67	74.9	90	4
	1600	86.4	20.6	30	83.7	36.2	45	81.1	51.7	75	78.7	67.2	90	76	82.8	110	4
	1750	95.2	22.5	30	92.5	39.5	55	90	56.5	75	87.6	73.5	90	85	90.5	110	4
1900	104	24.5	30	101.1	43	55	98.9	61.5	75	96.5	80.1	110	93.9	98.6	132	4	

Roots Blower Unit Installation Drawing



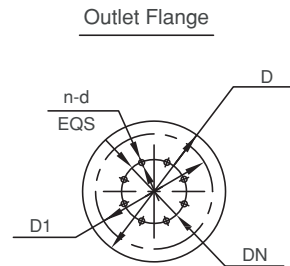
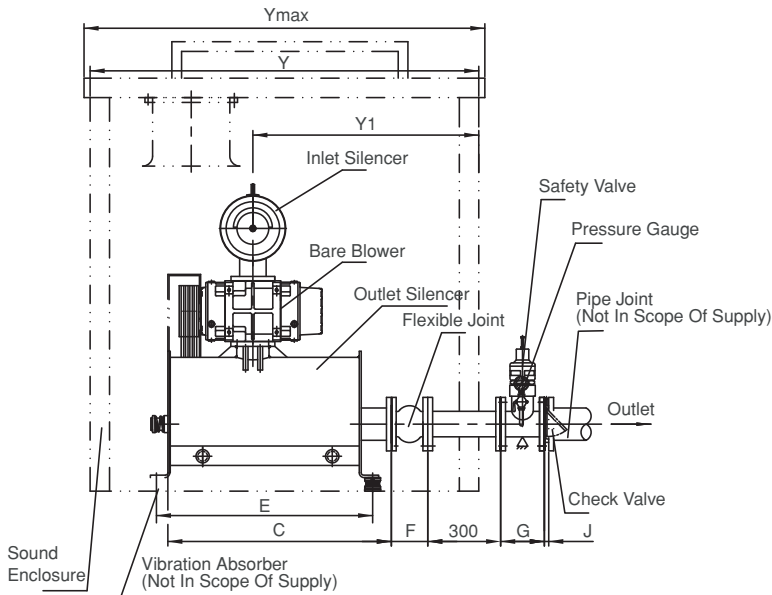
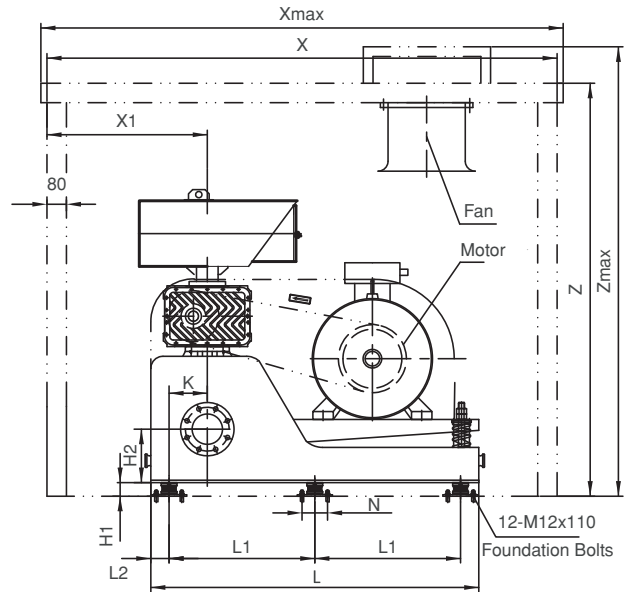
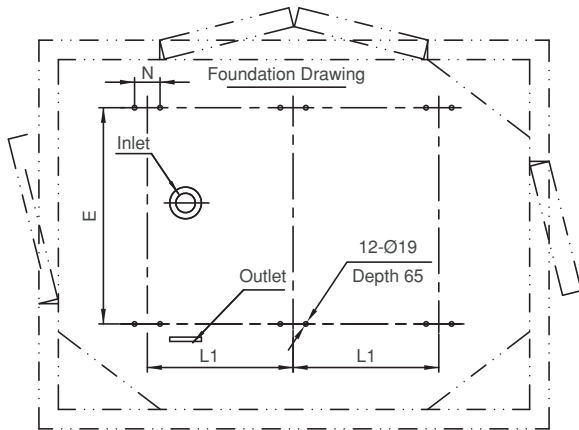
Foundation Drawing



DIMENSIONS

Blower Model	A	B	C	E	F	G	J	H	H1	H2	K	L	L1	L2	M	N	P	Q	DN	D1	D	n	d
HG 50	300	400	700	698	105	140	18	949	56	178	90	1000	850	75	310	105	173	410	50	125	165	4	18
HG 65	300	400	700	698	115	150	18	978	56	178	90	1000	850	75	310	105	173	410	65	145	185	4	
HG 80	308	510	818	810	135	180	18	1216	56	220	157.5	1350	600	75	350	105	250	560	80	160	200	8	
HG 100	340	570	920	890	150	180	18	1216	56	220	157.5	1350	600	75	350	105	250	560	100	180	220	8	22
HG 125	435	615	1050	1020	165	200	18	1750	56	290	215	1640	720	100	595	105	356	743	125	210	250	8	
HG 150	505	615	1120	1090	180	220	18	1762	66	290	215	1640	720	100	595	134	356	745	150	240	285	8	
HG 175	578	725	1303	1220	190	250	23	1834	66	290	215	1640	720	100	647	134	376	745	200	295	340	8	
HG-200	620	860	1480	1445	190	250	23	2189	66	305	300	2155	950	125	683	134	505	935	200	295	340	12	
HG-250	720	760	1480	1445	230	300	45	2191	66	305	300	2155	950	125	683	134	505	937	250	350	395	12	

Roots Blower Unit Installation Drawing (With Acoustic Enclosure)



DIMENSIONS																									
Blower Model	C	E	F	G	J	H1	H2	K	L	L1	L2	N	X	X1	Xmax	Y	Y1	Ymax	Z	Zmax	DN	D1	D	n	d
HG 50	700	698	105	140	18	56	178	90	1000			105	1800	565	1850	1300	680	1350	1300	1450	50	125	165	4	18
HG 65	700	698	115	150	18	56	178	90	1000			105	1800	565	1850	1300	680	1350	1300	1450	65	145	185		
HG 80	818	810	135	180	18	56	220	157.5	1350	600	75	105	2100	660	2150	1600	870	1650	1700	1850	80	160	200		
HG 100	920	890	150	180	18	56	220	157.5	1350	600	75	105	2100	660	2150	1600	930	1650	1700	1850	100	180	220		
HG 125	1050	1020	165	200	18	56	290	215	1640	720	100	105	2200	650	2250	1850	980	1900	2000	2240	125	210	250	8	22
HG 150	1120	1090	180	220	18	66	290	215	1640	720	100	134	2200	650	2250	1850	980	1900	2000	2250	150	240	285		
HG 175	1303	1220	190	250	23	66	290	215	1640	720	100	134	2400	700	2450	2100	1100	2150	2000	2300	200	295	340		
HG-200	1480	1445	190	250	23	66	305	300	2155	950	125	134	2800	760	2850	2400	1250	2450	2600	2900	200	295	340		
HG-250	1480	1445	230	300	45	66	305	300	2155	950	125	134	2800	760	2850	2400	1250	2450	2600	2900	250	350	395	12	





Ekin is aware that the progress in its sector is possible through continuous development and learning.

Ekin Academy, established with this awareness, aims to provide high-quality and sustainable development with its modern education methods, to provide successful employees and to provide value to the society through social responsibility projects.

Training and development programs that will make a direct contribution to the results of our employees' work processes and which will make a difference in their personal development are prepared by Ekin Academy.

For our business partners and customers, our training modules prepared by our expert staff provide training support for pre-sales and post-sales issues such as commissioning, operation, maintenance and repair of our products.

In cooperation with universities within the scope of corporate social responsibility projects, we are experiencing the happiness of adding value to the society by allowing the engineer candidate, who aims to take place in the fields where Ekin is active, to meet with the sector and to experience the theoretical knowledge acquired in the fields of application.

In-Company Trainings

Ekin Academy conducts technical, leadership, strategy development, sales and training and development programs for different tasks in the fields of heat transfer, pressure vessels, package systems, food systems and liquid transfer.



Out-of-Company Trainings

We are realizing conferences and training activities to our business partners, professional groups and institutions where we carry out social responsibility projects in various locations of Turkey.



SALES TEAM

At Ekin, we produce a proactive solution by our engineering staff who are specialized in their field. Our team, which works with the aim of unconditional customer satisfaction, works selflessly in order to gain customer loyalty by raising the bar of success in products, services and processes.

We are happy to share our accumulated knowledge with our valued customers. Ekin will continue to be the best solution partner for you in all applications with all kinds of heating and cooling applications.



Customer Satisfaction

Customer rights are protected in all circumstances.



Privacy Policy

Aware of the importance of protecting personal information, personal information is not shared with third parties.



Information Security

The requirements of ISO 27001 information security management system are fulfilled at Ekin.



Ethical Values

In all our business relations, our principle of mutual benefit by adhering to laws and ethics is our principle.



PROFESSIONAL SYSTEM SOLUTION CENTER

From our MIT professional system solution center, you can get help with problems with your pumps, heat exchangers and your system. Our solution center consisting of our expert engineers will be happy to help you.

- Domestic hot water installations.
- Central and district heating systems.
- Milk, yogurt, buttermilk heating, cooling and pasteurization systems.
- Industrial cooling and heating systems.
- Oil cooling systems.
- Energy recovery systems.
- Pool heating systems.
- Steam installations.



It is vital for your system to be designed and implemented correctly in the first installation in order to be able to operate at the desired capacity, smoothness and long life. For this reason, you can get first-hand

the technical support you need during the installation phase of your system and the problems that may arise in the business; You can reach us **24 hours +90 (216) 232 24 12 in 7 days.**



+90 850 811 04 18

We would like to reiterate that we will be happy to share our knowledge accumulated over many years with our valued customers in order for your system to work correctly and performance.

Ekin will continue to be the best solution partner for you in all applications with all kinds of heating and cooling applications.

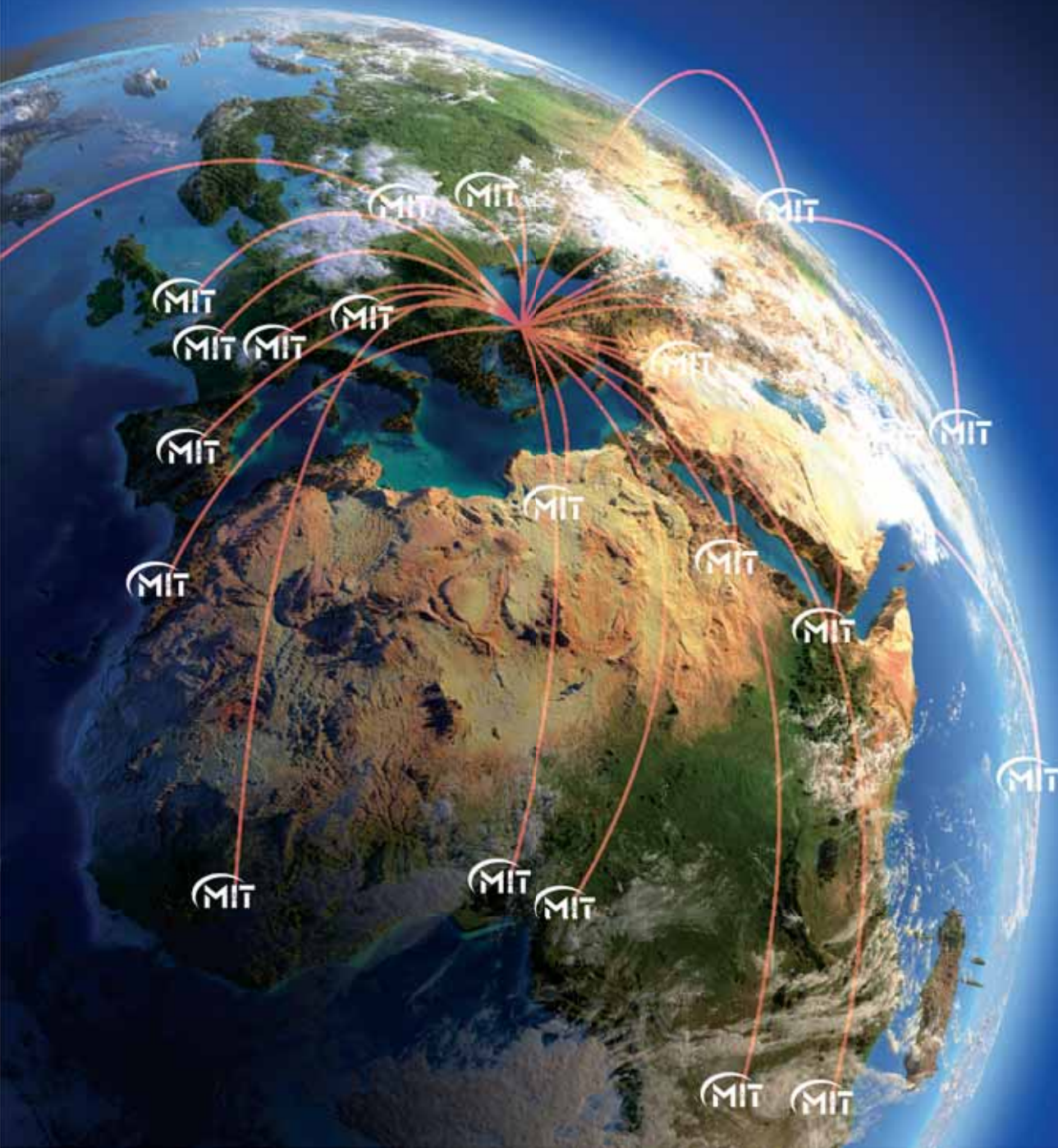


/ekinendustriyel

Follow us on
social media...



Our products are produced with Turkish engineering technology in **135 countries** in the world today...





EKİN ENDÜSTRİYEL

Isıtma-Soğutma San. Tic. Ltd. Şti.

Dudullu Organize Sanayi Bölgesi - Des Sanayi Sitesi
107. Sk. B14 Blok No: 2 Ümraniye / İstanbul / Turkey
Phone: +90 216 232 24 12 **Fax:** +90 216 660 13 08
info@ekinendustriyel.com - www.ekinendustriyel.com

444 EKİN
3546